



D61824 18 – 24 GHz 6-Way Power Divider/Combiner

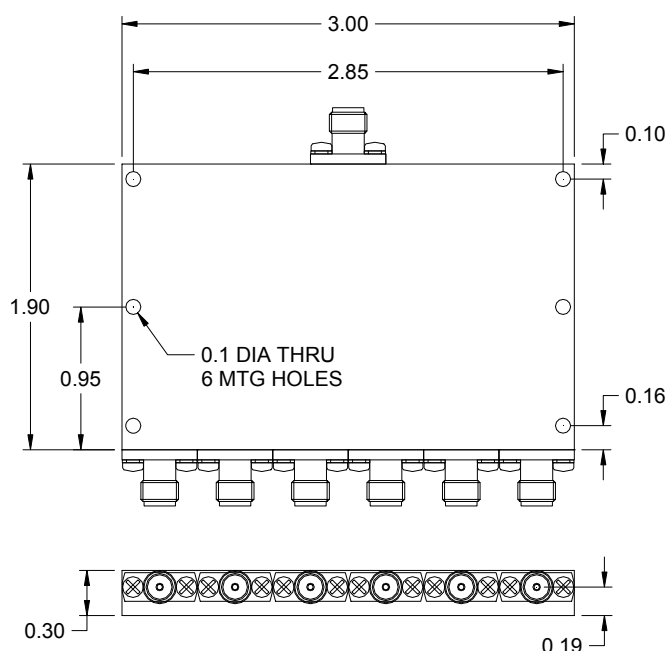
FEATURES

- ❖ Low VSWR
- ❖ High Isolation
- ❖ Small Package
- ❖ Light Weight



SPECIFICATIONS

18 – 24 GHz 6-Way Power Divider/Combiner	
Model Number	D61824
Frequency Range	18 – 24 GHz
Insertion Loss	2.20 dB Typ., 2.50 dB Max.
Isolation	24 dB Typ., 21 dB Max.
Input VSWR	1.40:1 Typ., 1.55:1 Max.
Output VSWR	1.35:1 Typ., 1.45:1 Max.
Amplitude Balance	± 0.50 dB Typ., ± 0.80 dB Max.
Phase Balance	$\pm 4.0^\circ$ Typ., $\pm 6.0^\circ$ Max.
Power Handling as Divider	20 W CW Max.
Impedance	50 Ω
Connector Type	2.92 mm Female



Design to meet the following environmental specifications: (verification optional)

1. Operating Temp: -55°C to +85°C
2. Storage Temp: -65°C to +125°C
3. Shock: MIL-STD-202F, M213, Cond B
4. Altitude: MIL-STD-202F, M105, Cond B
5. Vibration: MIL-STD-202F, M204, Cond B
6. Thermal Shock: MIL-STD-202F, M107, Cond A
7. Temp. Cycle: MIL-STD-202F, M105C, Cond D
8. Humidity: MIL-STD-202F, M103, Cond B (Optional with Hysol epoxy seal)

Standard Finishing: Rugged Aluminum Housing, optional finishing with blue epoxy paint per MIL-C-22750 available on request.

Note:

1. Insertion loss refers to the sum of the output power to the input power
2. Standard connector is 2.92 mm female for all the ports
3. Male and female connector combination is available on request
4. Power handling is under the condition that all the outputs are connected to the loads with 1.25:1 or better VSWR and the unit is mounted with excellent heat sink